

Rain Bird 5000 Series Rotors Take Performance to the Top

The 5000 Series Rotor is a rugged mid-range gear-drive rotor, offering durability, performance, and the convenience of arc adjustment from the top, for residential and light commercial applications.

This versatile rotor offers a standard rubber cover and the convenience of reversing full and part circle operation (up to 360 degrees) in one unit. And, with a tree of Rain Curtain™ nozzles, the 5000 Series Rotor offers excellent distribution for top-notch efficiency.

All of this, a proven gear-driven design, and a five-year trade warranty, makes the 5000 Series Rotor one head that will "Take Performance to the Top."

Features

The 5000 Series Rotor is available in 4", 6", 12", Shrub, and Stainless Steel models.

- Top-adjust arc adjustment requiring only a flat-bladed screwdriver
- Five-year trade warranty
- Water-lubricated gear-drive design for durable, reliable operation
- Standard rubber cover
- 40- 360° Arc Rotation and reversing full circle rotation in one. (A non-reversing full circle only unit is also available)
- Tree of nozzles including low angle (Angle of trajectory 10°) and standard angle Rain Curtain™ nozzles (Angle of trajectory 25°) provide 23 to 40 feet (7 to 12,2m) distance of throw
- Radius + nozzles for maximum distance of throw from 31 to 50 feet (9,4 to 15,2 m)
- Radius adjustment screw allows up to 25% radius reduction without changing nozzles
- True 4" (10 cm) pop-up (measured from center of nozzle)
- Quick Check Arc/Fast Forward
- Pressure-activated multi-function wiper seal protects internals from debris and assures positive pop-up and retraction
- Reinforced flow path for additional side load strength
- Additional o-rings and seals for extra protection in "gritty" water

- Self-adjusting stator does not require replacement when changing nozzles
- Heavy-duty retract spring assures positive pop-down
- Optional pre-installed Rain Curtain™ nozzle
- Optional Seal-A-Matic (SAM)™ check valve holds up to 7 feet (2,1 m) of elevation change, to prevent puddling and erosion caused by low head drainage
- Optional non-potable cover for easy identification of reclaimed water

Operating Range

- Precipitation rate: .20 to 1.04 inches per hour (5 to 27 mm/h)
- Radius: 23 to 50 feet (7,0 to 15,2 m)
- Radius may be reduced up to 25% with radius reduction screw
- Pressure: 25-65 psi (1,7 to 4,5 bar)
- Flow Rate: .69 to 8.41 gpm (16 to 1,91 m3/h)

Specifications

- ¾" (20/27) NPT female bottom threaded inlet
- Reversing full and part circle adjustment 40° – 360°
- Full circle only adjustment 360°

Dimensions

- Pop-up height: Shrub: 4" (10 cm); 4" (10 cm); 6" (15 cm); 12" (30 cm);
- Overall body height: Shrub: 7 ¾" (19,7cm) 4": 7 ¾" (18, 5 cm); 6": 9 ¾" (24,5 cm); 12": 16 ¾" (42,9 cm)
- Exposed surface diameter: 1 ¾" (4,5 cm)

Note: Pop-up height measured from cover to center of nozzle. Overall body height is measured popped down.



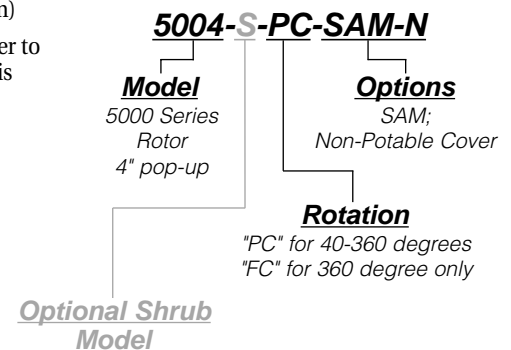
Models

Part circle units (PC) are adjustable from 40 –360 degrees. Full circle units (FC) are 360 degrees only.

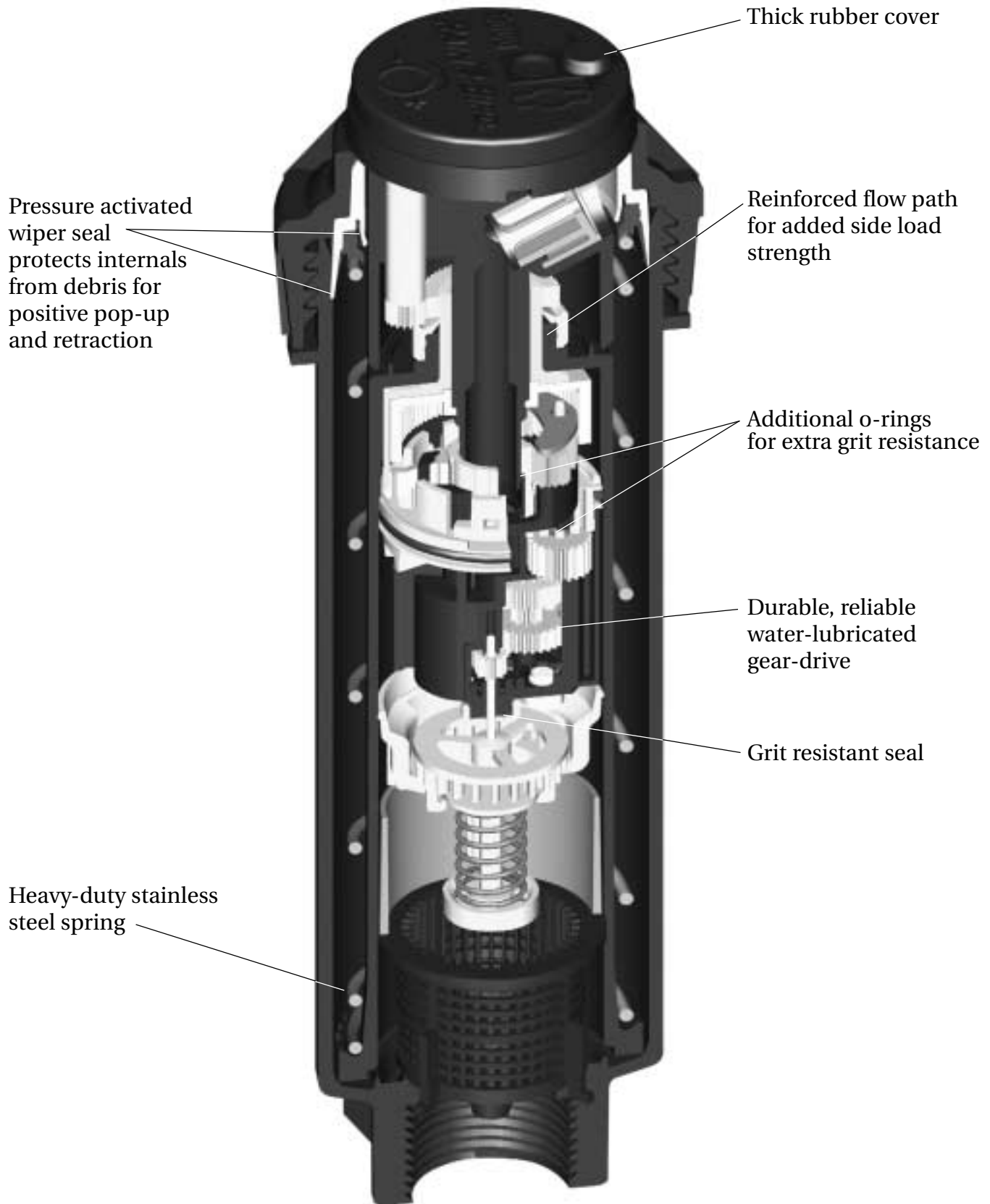
- | | |
|-----------------|-----------------|
| • 5000-S-PC | • 5006-FC-SAM |
| • 5000-S-FC | • 5012-PC-SAM |
| • 5004-PC | • 5012-FC-SAM |
| • 5004-FC | • 5004-PC-N |
| • 5004-PC-2.0† | • 5004-FC-N |
| • 5004-PC-3.0† | • 5006-PC-N |
| • 5006-PC | • 5006-FC-N |
| • 5006-FC | • 5012-PC-N |
| • 5012-PC | • 5012-FC-N |
| • 5012-FC | • 5004-PC-SAM-N |
| • 5000-S-PC-SAM | • 5004-FC-SAM-N |
| • 5000-S-FC-SAM | • 5006-PC-SAM-N |
| • 5004-PC-SAM | • 5006-FC-SAM-N |
| • 5004-FC-SAM | • 5012-PC-SAM-N |
| • 5006-PC-SAM | • 5012-FC-SAM-N |

† Available in pallet quantities only.

How to Specify/Order:



5000 Series Rotor



5000 Standard Angle Rain Curtain Nozzle Performance

Pressure psi	Nozzle	Radius ft.	Flow GPM	Square Precip. in/h	Triangular Precip. in/h
25	1.0	27	0.80	0.21	0.24
	1.5	31	1.00	0.20	0.23
	2.0	31	1.65	0.33	0.38
	3.0	35	2.58	0.41	0.47
	4.0	35	3.20	0.50	0.58
	6.0	35	4.46	0.70	0.81
35	1.0	28	0.97	0.24	0.28
	1.5	31	1.25	0.25	0.29
	2.0	32	1.99	0.37	0.43
	3.0	37	3.11	0.44	0.51
	4.0	37	3.86	0.54	0.63
	6.0	37	5.42	0.76	0.88
45	1.0	28	1.12	0.28	0.32
	1.5	32	1.42	0.27	0.31
	2.0	32	2.31	0.43	0.50
	3.0	37	3.59	0.51	0.58
	4.0	37	4.46	0.63	0.72
	6.0	37	6.26	0.88	1.02
55	1.0	28	1.23	0.30	0.35
	1.5	31	1.60	0.32	0.37
	2.0	33	2.56	0.45	0.52
	3.0	37	3.95	0.56	0.64
	4.0	38	4.96	0.66	0.76
	6.0	40	7.03	0.85	0.98
65	1.0	28	1.35	0.33	0.38
	1.5	31	1.77	0.35	0.41
	2.0	33	2.89	0.51	0.59
	3.0	38	4.37	0.58	0.67
	4.0	38	5.40	0.72	0.83
	6.0	40	7.65	0.92	1.06

5000 Low Angle Nozzle Performance

Pressure psi	Nozzle	Radius ft.	Flow GPM	Square Precip. in/h	Triangular Precip. in/h
25	1.0	23	0.69	0.25	0.29
	2.0	24	1.45	0.48	0.56
	4.0	25	3.14	0.97	1.12
35	1.0	25	0.80	0.25	0.29
	2.0	26	1.77	0.50	0.58
	4.0	28	3.84	0.94	1.09
45	1.0	26	0.94	0.27	0.31
	2.0	27	2.04	0.54	0.62
	4.0	31	4.29	0.86	0.99
55	1.0	26	1.04	0.30	0.34
	2.0	28	2.27	0.56	0.64
	4.0	31	4.74	0.95	1.10
65	1.0	26	1.15	0.33	0.38
	2.0	29	2.45	0.56	0.65
	4.0	31	5.21	1.04	1.21

5000 Radius+ Nozzle Performance

Pressure psi	Nozzle	Radius ft.	Flow GPM	Square Precip. in/h	Triangular Precip. in/h
25	1.5	31	1.40	0.28	0.32
	3.0	35	3.33	0.52	0.60
	6.0	39	4.91	0.62	0.72
35	1.5	33	1.70	0.30	0.35
	3.0	40	4.05	0.49	0.56
	6.0	45	6.00	0.57	0.66
45	1.5	35	1.93	0.30	0.35
	3.0	42	4.67	0.51	0.59
	6.0	47	6.84	0.60	0.69
55	1.5	35	2.13	0.33	0.39
	3.0	43	5.27	0.55	0.63
	6.0	49	7.71	0.62	0.71
65	1.5	35	2.33	0.37	0.42
	3.0	43	5.65	0.59	0.68
	6.0	50	8.41	0.65	0.75

5000 Standard Angle Rain Curtain Nozzle Performance - METRIC

Pressure bar	Nozzle	Radius m	Flow m ³ /h	Flow l/s	Square Precip. mm/h	Triangular Precip. mm/h
1,7	1,0	8,2	0,18	0,05	5	6
	1,5	9,4	0,23	0,06	5	6
	2,0	9,4	0,37	0,10	8	10
	3,0	10,7	0,59	0,16	10	12
	4,0	10,7	0,73	0,20	13	15
	6,0	10,7	1,01	0,28	18	21
2,0	1,0	8,4	0,20	0,05	6	7
	1,5	9,4	0,25	0,07	6	6
	2,0	9,6	0,41	0,11	9	10
	3,0	10,8	0,63	0,18	11	12
	4,0	10,9	0,79	0,22	13	15
	6,0	11,0	1,10	0,31	18	21
2,5	1,0	8,5	0,22	0,06	6	7
	1,5	9,4	0,28	0,08	6	7
	2,0	9,8	0,45	0,13	10	11
	3,0	11,1	0,71	0,20	11	13
	4,0	11,2	0,88	0,24	14	16
	6,0	11,3	1,23	0,34	19	22
3,0	1,0	8,5	0,25	0,07	7	8
	1,5	9,8	0,32	0,09	7	8
	2,0	9,8	0,52	0,15	11	13
	3,0	11,2	0,82	0,23	13	15
	4,0	11,3	1,01	0,28	16	18
	6,0	11,4	1,42	0,39	22	26
3,5	1,0	8,5	0,27	0,08	7	9
	1,5	9,8	0,35	0,10	7	9
	2,0	9,8	0,56	0,16	12	13
	3,0	11,3	0,87	0,24	13	15
	4,0	11,4	1,08	0,30	17	19
	6,0	11,6	1,52	0,42	23	26
4,0	1,0	8,5	0,29	0,08	8	9
	1,5	9,8	0,38	0,11	8	10
	2,0	10,0	0,62	0,17	12	14
	3,0	11,5	0,94	0,26	14	16
	4,0	11,5	1,16	0,32	18	20
	6,0	12,0	1,64	0,46	23	27
4,5	1,0	8,5	0,31	0,09	8	10
	1,5	9,8	0,40	0,11	9	10
	2,0	10,1	0,66	0,18	13	15
	3,0	11,6	0,99	0,28	15	17
	4,0	11,6	1,23	0,34	18	21
	6,0	12,2	1,74	0,48	23	27

5000 Low Angle Nozzle Performance - METRIC

Pressure bar	Nozzle	Radius m	Flow m ³ /h	Flow l/s	Square Precip. mm/h	Triangular Precip. mm/h
1,7	1,0	7,0	0,16	0,04	6	7
	2,0	7,3	0,33	0,09	12	14
	4,0	7,6	0,71	0,20	25	28
	2,0	1,0	7,3	0,17	0,05	6
2,0	2,0	7,6	0,36	0,10	13	14
	4,0	8,0	0,78	0,22	24	28
	2,5	1,0	7,6	0,18	0,05	6
2,5	2,0	7,9	0,40	0,11	13	15
	4,0	8,5	0,87	0,24	24	28
	3,0	1,0	7,9	0,21	0,06	7
3,0	2,0	8,2	0,46	0,13	14	16
	4,0	9,4	0,97	0,27	22	25
	3,5	1,0	7,9	0,23	0,06	7
3,5	2,0	8,4	0,49	0,14	14	16
	4,0	9,4	1,04	0,29	23	27
	4,0	1,0	7,9	0,25	0,07	8
4,0	2,0	8,7	0,53	0,15	14	16
	4,0	9,4	1,12	0,31	25	29
	4,5	1,0	7,9	0,26	0,07	8
4,5	2,0	8,8	0,56	0,15	14	16
	4,0	9,4	1,18	0,33	27	31

5000 Radius+ Nozzle Performance - METRIC

Pressure bar	Nozzle	Radius m	Flow m ³ /h	Flow l/s	Square Precip. mm/h	Triangular Precip. mm/h
1,7	1,5	9,4	0,32	0,09	7	8
	3,0	10,7	0,76	0,21	13	15
	6,0	11,9	1,12	0,31	16	18
2,0	1,5	9,7	0,35	0,10	7	8
	3,0	11,3	0,82	0,23	13	15
	6,0	12,6	1,21	0,34	15	18
2,5	1,5	10,1	0,39	0,11	8	9
	3,0	12,2	0,92	0,26	12	14
	6,0	13,7	1,36	0,38	14	17
3,0	1,5	10,7	0,44	0,12	8	9
	3,0	12,8	1,06	0,29	13	15
	6,0	14,3	1,55	0,43	15	17
3,5	1,5	10,7	0,47	0,13	8	9
	3,0	12,9	1,13	0,31	14	16
	6,0	14,6	1,66	0,46	16	18
4,0	1,5	10,7	0,50	0,14	9	10
	3,0	13,0	1,22	0,34	14	17
	6,0	15,0	1,80	0,50	16	19
4,5	1,5	10,7	0,53	0,15	9	11
	3,0	13,1	1,28	0,36	15	17
	6,0	15,2	1,91	0,53	16	19

Precipitation rates calculated at 50% diameter head to head spacing, half circle operation.



5000 Series Rotor Technical Specification

5000 Series Full and Reversing Full/Part Circle Sprinkler

The full and/or part circle sprinkler shall be a single-stream, water-lubricated, gear-drive type capable of covering a ___ foot (xx meter) at ___ pounds per square inch (psi) or (bar) with a discharge rate of ___ gallons per minute (___ gpm) (___ m³/h). The sprinkler shall have adjustable arc coverage of 40 to 360 degrees. Arc adjustment can be performed with or without the sprinkler in operation and shall require only a flat-blade screwdriver.

The sprinkler shall have a pressure activated, multi-function wiper seal that positively seals against the pop-up stem to keep debris out of the rotor and to clean debris from the pop-up stem as it retracts.

This wiper seal shall prevent sprinkler from sticking up, and be capable of sealing the sprinkler cap to sprinkler body under normal operating pressures.

The sprinkler shall have a screen installed in the pop-up stem to filter inlet water, protect the drive from clogging and simplify its removal for cleaning and flushing of the system. It shall have a 3/8" (FNPT) bottom inlet.

The sprinkler shall have a standard rubber cover and a strong stainless steel retract spring for positive pop down. Pop-up height as measured from the top of the cap, at normal installation, to the middle of the nozzle orifice shall be ___ inches or ___ cm. The rotor's overall height shall be ___ inches (___ cm).

The sprinkler shall have 12 interchangeable nozzles: 6 Rain Curtain nozzles for superior close-in watering, 3 Low Angle nozzles for reduced radius of throw and superior wind resistance, and 3 Radius + nozzles for extra distance. The angle of trajectory shall be 25 degrees for the Rain Curtain and Radius + nozzles and 10 degrees for the low angle nozzles. The sprinkler shall come with a stainless steel adjusting screw capable of reducing the radius up to 25%.

The sprinkler shall be as manufactured by Rain Bird Corporation, Glendora, California.

Optional Feature Specification

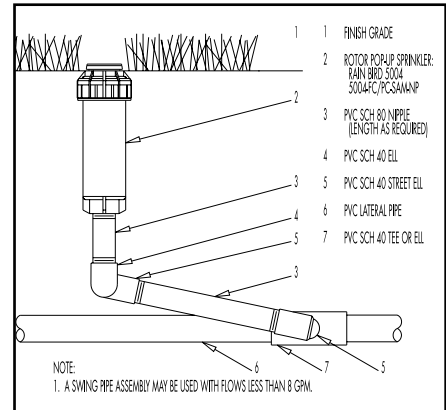
5000 Series SAM, Full and Reversing Full/Part Circle Sprinkler SAM unit

When so indicated on the design, the sprinkler shall have a spring-loaded Seal-A-Matic™ (SAM) device in the base of the case. The device shall hold back at least 7' (2, 13m) of elevation change to prevent puddling, run-off and erosion caused by low-head drainage.

5000 Series Full and Reversing Full/Part Circle Non-Potable

When so indicated on the design, the sprinkler shall have a purple rubber cover to indicate to the user that non-potable water is being used. There shall be no difference between the black and the purple covers, except for the color.

The sprinkler shall be as manufactured by Rain Bird Corporation, Glendora, California.



5000 Series Shrub Model Full and Reversing Full/Part Circle Sprinkler (SAM)

When so indicated on the design, the shrub model shall contain all of the specifications of the standard 5000 series rotor plus a locking screw to fasten the shrub unit to the riser. Additionally, the shrub base unit will feature Secure Ribs™ that are designed to assist in the staking of the shrub model if so specified on the design. When the Seal-A-Matic™ (SAM) model is indicated on the design, the device shall hold back at least 7' (2,13m) of elevation change to prevent puddling, run-off and erosion caused by low head drainage. As well the SAM unit shall experience no pressure loss during normal operation.

Rain Bird Corporation

Contractor Division
970 West Sierra Madre Avenue, Azusa, CA 91702
Phone: (626) 963-9311 Fax: (626) 812-3411

Rain Bird Corporation

Commercial Division
6991 East Southpoint Road, Tucson, AZ 85706
Phone: (520) 741-6100 Fax: (520) 741-6522

Rain Bird International, Inc.

145 North Grand Avenue, Glendora, CA 91741
Phone: (626) 963-9311 Fax: (626) 963-4287

Rain Bird Technical Service

(800) 247-3782 (U.S. only)

www.rainbird.com

♻️ Recycled Paper.
Rain Bird. Conserving More Than Water

© Registered Trademark of Rain Bird Corporation
© 2002 Rain Bird Corporation 01/02